

VALVE+

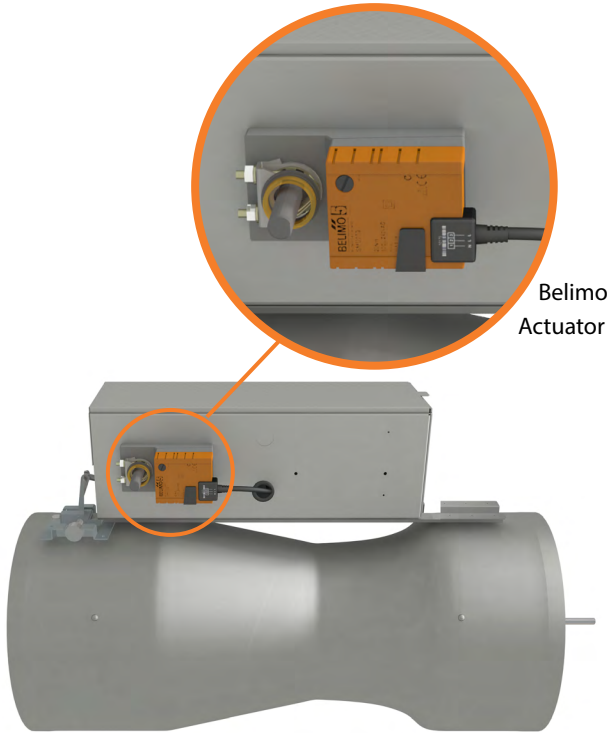
ACCESSORIES & OPTIONS FOR WV AND VFX VALVES



ACTUATORS

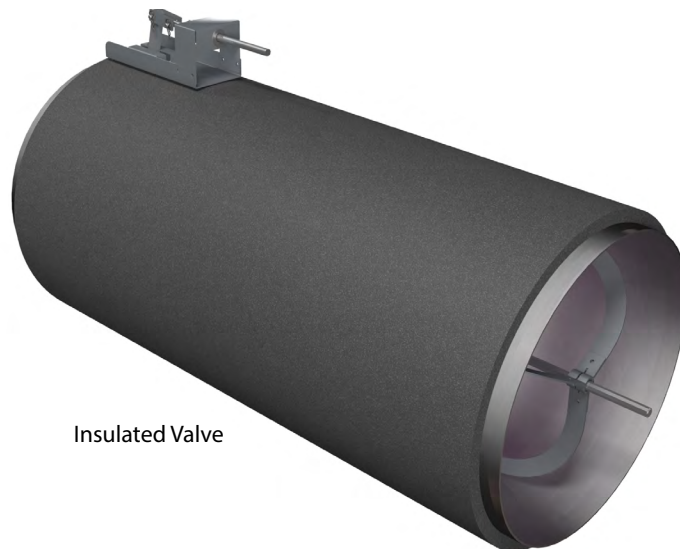
Modulating variable volume valves are built with factory mounted Belimo actuators for both VAV and 2 Position flow control. Valves can be ordered with high speed actuators for laboratory fume hood and space control. Standard speed actuators are available for tracking pair and pressure control applications.

Actuators come factory set for fail in place or can be ordered in a Normally Open/Closed fail safe mode depending on application. Two position actuators are available for control sequencing that require on/off settings.



EXTERNAL INSULATION

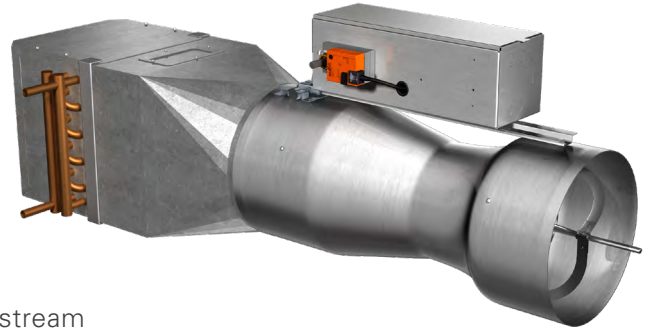
Valve insulation is a flexible, polyolefin available in 3/4" (19 mm) thickness to provide condensation control on supply valves. Additional insulation may be necessary when installed on low temperature surfaces that are exposed to continuous high humidity. Insulation is rated for use on valves installed in spaces with temperatures less than 90F (32C) and 80% relative humidity. The insulation has a flame spread rating of 25 or less and a smoke development rating of 50 or less as tested by ASTM E 84 Method of Testing entitled: "Surface Burning Characteristics of Building Materials."



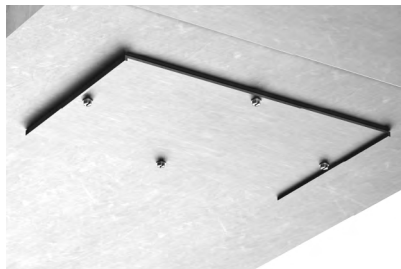
REHEAT

Hot Water Reheat Coils (VVHWC)

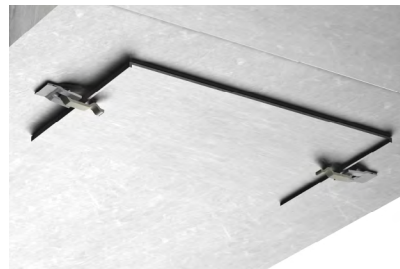
Antec Controls water coils are constructed from high quality materials and are AHRI410 certified. Designed to optimize heat transfer, water coils are available in high capacity and oversized configurations to meet the requirements of every project.



For ease of maintenance, access doors are available for upstream installation, with a variety of fastening choices. Access door fastener options include screws, snap latches and quarter turn sash latches. Access doors are typically located on the bottom of the unit, but top and bottom access doors are available as an option.



Screw Latch Access Door



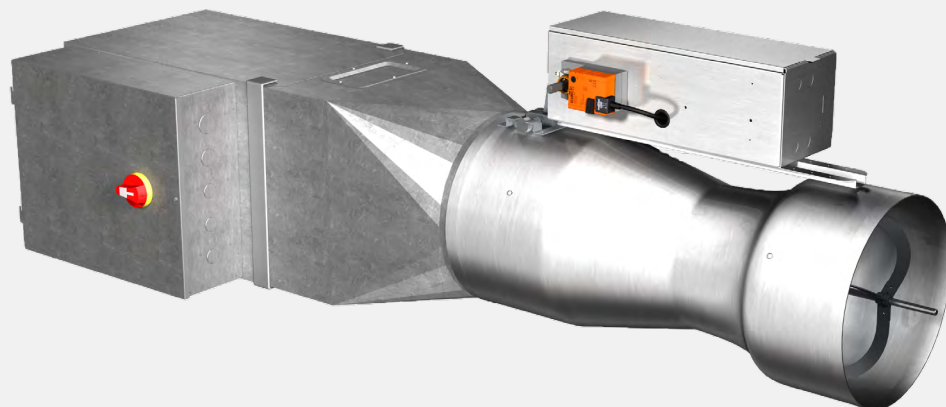
Snap Latch Access Door



Quarter Turn Sash Latch Access Door

Electric Reheat Coils (VVEC)

Antec Controls electric coils are factory mounted, ETL listed to meet electrical safety standards and comply with CSA236/UL1995. Valve duct electric heaters are a side-mounted, slide-in style, specifically designed to mount in the extended casing allowing for easy field maintenance. To ensure safe operation, these electric heaters use thermal safety switches and low watt density heating elements to minimize hot spots.



VALVE CONNECTION TYPES (VCT)

Drawband Clamps

Drawband clamps are designed as a connection method specifically for slip venturi valves, in alternative to directly fastening the valve to the ductwork. The drawband clamp provides uniform compression, connecting spiral or plain ductwork to a valve, ensuring that the valve is properly supported.

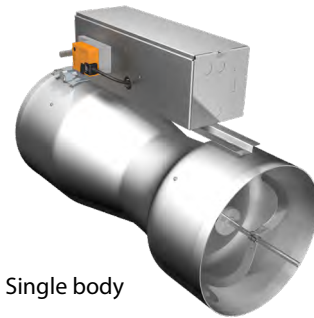
Drawband clamps allow for quick installation or removal of the venturi valve while minimizing damage from sheet metal screws.

Proper tape should be used to seal the ductwork prior to installing the drawband clamp.

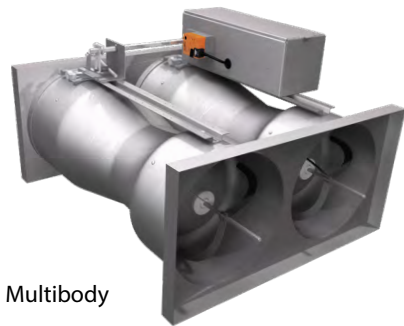
- + Band and Brackets: Galvanized Steel
- + Gasket: UL 94 Elastomeric foam
- + Hardware: Zinc plated flanged hex bolts with nylock nuts



Slip Connection



Single body



Multibody

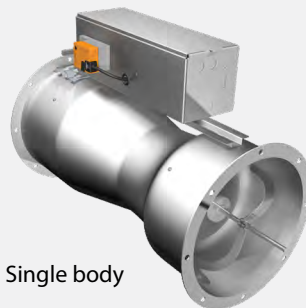
Companion Flanges

Companion flanges are available for single body valves, companion flange to be slid onto duct with 1.5 in. (38 mm) overlap and mechanically fastened to the valve flange.

- + Aluminum or SS316 Construction
- + Hardware not included



Flange Connection



Single body

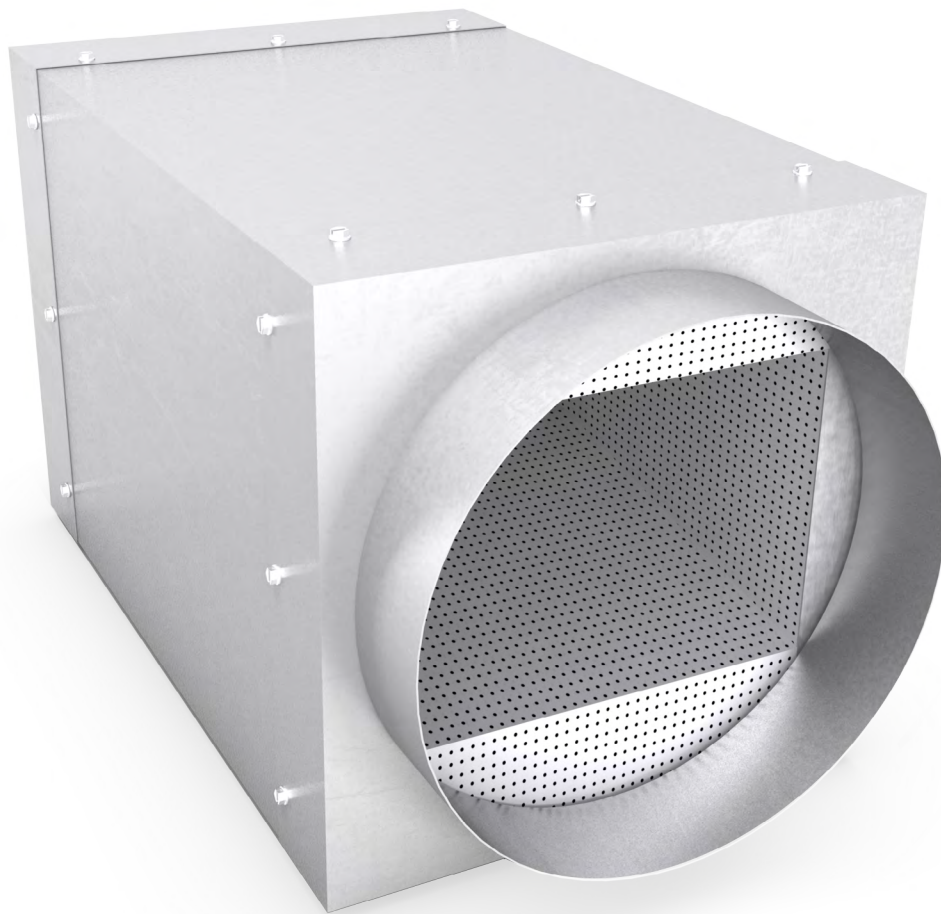


Multibody

VENTURI VALVE SILENCER (VVSIL)

The VVSIL is a highly engineered 14 in. (355.6 mm) silencer specifically designed for the full spectrum attenuation of sounds produced by Venturi Valves. The packless design provides minimal disturbance in the airflow resulting in low pressure drops across the silencer.

- + Galvanized Steel or SS316 Construction
- + Factory Mounted Transitions
- + Slip Connection



SPECIFICATIONS

See the latest information located in the product submittal available at www.AntecControls.com



Product Improvement is a continuing endeavour at Antec Controls by Price. Therefore, specifications are subject to change without notice. Consult your Sales Representative for current specifications or more detailed information. Not all products may be available in all geographic areas. All goods described in this document are warranted as described in the Limited Warranty. The complete product catalog can be viewed online at [AntecControls.com](https://www.AntecControls.com)