

FT-4600

INLINE ULTRASONIC FLOW METER

Installation and Operation Guide



SAFETY INFORMATION

The FT-4600 meter was calibrated at the factory before shipment. To ensure correct use of the meter, please read this manual thoroughly.

Regarding this manual:

- This manual should be passed on to the end user.
- Before use, read this manual thoroughly to comprehend its contents.
- The contents of this manual may be changed without prior notice.
- All rights reserved. No part of this manual may be reproduced in any form without ONICON Incorporated's written permission.
- ONICON makes no warranty of any kind with regard to this material, including, but not limited to, implied warranties of merchantability and suitability for a particular purpose.
- All reasonable effort has been made to ensure the accuracy of the contents of this manual. However, if any errors are found, please inform ONICON Incorporated.
- ONICON assumes no responsibilities for this product except as stated in the warranty.
- If the customer or any third party is harmed by the use of this product, ONICON assumes no responsibility for any such harm owing to any defects in the product which were not predictable, or for any indirect damages.

SAFETY PRECAUTIONS:

The following general safety precautions must be observed during all phases of installation, operation, service, and repair of this product. Failure to comply with these precautions or with specific WARNINGS given elsewhere in this manual violates safety standards of design, manufacture, and intended use of the product. ONICON assumes no liability for the customer's failure to comply with these requirements. If this product is used in a manner not specified in this manual, the protection provided by this product may be impaired.

The following messages are used in this manual:

WARNING

Messages identified as "WARNING" contain information regarding the personal safety of individuals involved in the installation, operation or service of this product.

CAUTION

Messages identified as "CAUTION" contain information regarding potential damage to the product or other ancillary products.

IMPORTANT NOTE

Messages identified as "IMPORTANT NOTE" contain information critical to the proper operation of the product.

TABLE OF CONTENTS

SECTION 1.0 GENERAL INFORMATION	4
1.1 PURPOSE OF THIS MANUAL.....	4
1.2 TYPICAL FT-4600 FLOW METER.....	4
1.3 STANDARD FEATURES AND SPECIFICATIONS	4
1.4 WORKING ENVIRONMENT.....	6
1.5 SERIAL NUMBER.....	6
SECTION 2.0 UNPACKING	6
2.1 CHECKING THAT YOU HAVE RECEIVED EVERYTHING	6
SECTION 3.0 INSTALLATION.....	7
3.1 SITE SELECTION	7
3.2 INSTALLING THE FLOW METER.....	8
3.3 POWER & SIGNAL WIRING CONNECTIONS	13
SECTION 4.0 INSTALLATION.....	14
4.1 FLOW SIMULATION.....	14
4.2 LED STATUS.....	14

SECTION 1.0 GENERAL INFORMATION

We at ONICON Incorporated would like to thank you for purchasing our quality American made FT-4600 Inline Ultrasonic Flow Meter. As our valued customer, our commitment to you is to provide fast reliable service, while continuing to offer quality products to meet your growing flow measurement needs.

1.1 PURPOSE OF THIS MANUAL

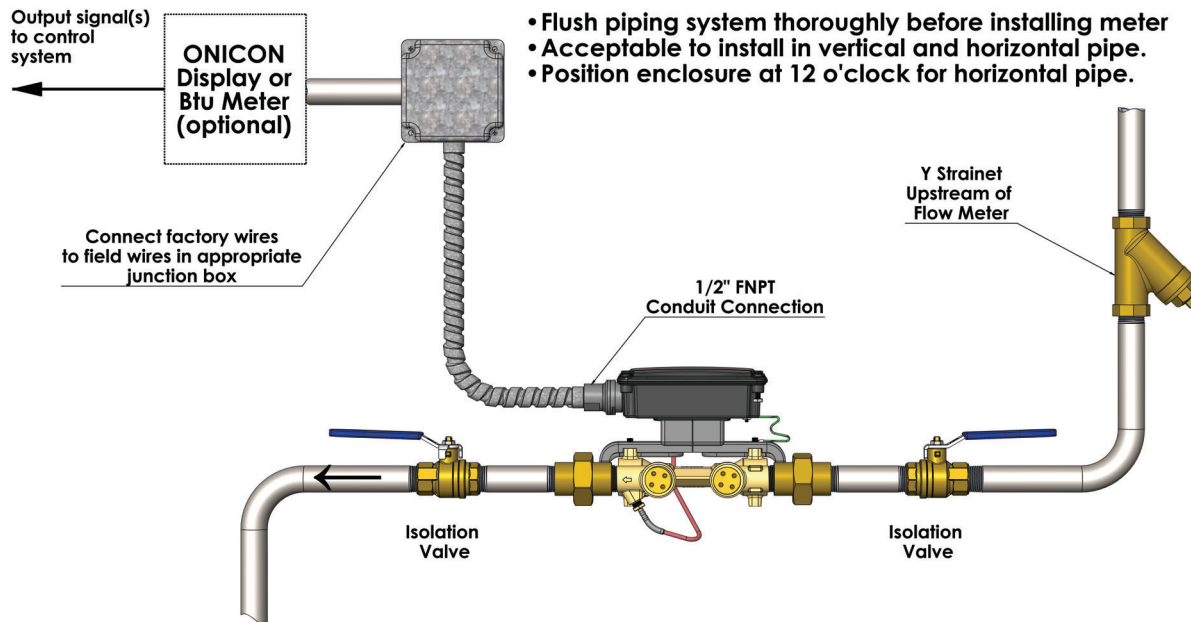
The purpose of this guide is to provide installation and commissioning procedures and basic operating and servicing instructions for the blink version of the ONICON FT-4600 Flow Meter.

CAUTION

Only qualified service personnel should attempt to install or service this product. The improper installation or use of this product may result in a loss of integrity in the piping system.

1.2 TYPICAL FT-4600 FLOW METER

The FT-4600 Inline Flow Meter utilizes direct path wetted ultrasonic transducers for measuring the volumetric flow of liquids in a wide variety of applications.



1.3 STANDARD FEATURES AND SPECIFICATIONS

- 4-20 mA output for flow rate
- Scaled pulse output for totalization
- All weather NEMA4 enclosure
- ANSI/NSF 61 & 372 compliant
- LED alarm for meter diagnostics
- FCC: Part 15, Subpart B compliant
- EN 61326-1:203, EN 55011:2009 compliant

1.3 STANDARD FEATURES AND SPECIFICATIONS (CONTINUED)*

ACCURACY	±1% of reading over 25:1 turndown ±2% of reading over 100:1 turndown Repeatability: ≤± 0.2%
OVERALL FLOW RANGE	500:1 turndown
SENSING METHOD	Direct beam path wetted ultrasonic sensors utilizing differential transit time velocity measurement
METER SIZES	½ - 2½" nominal diameter
ELECTRONIC ENCLOSURE	Polycarbonate NEMA4
FLOW BODY AND SENSOR MATERIAL	Lead-free brass flow body, (PPS) with 40% glass-reinforced transducer
PIPING SYSTEM CONNECTIONS	Male NPT threads 2½" meter provided with ANSI Class 150 raised face flanges
TEMPERATURE SENSORS	2-wire 1000Ω platinum RTD
FLUID TEMPERATURE RANGE	0°F to 250°F
AMBIENT TEMPERATURE RANGE	-13°F to 131°F
MAXIMUM OPERATING PRESSURE	400 psi
PRESSURE DROP	Less than 1 psi at 4 ft/s, decreasing at lower velocities
POWER SUPPLY REQUIREMENTS	20-28V AC/DC; 50/60 Hz, 5 VA maximum
ANALOG OUTPUT	Configurable as 4-20mA (non-isolated) Optional 0-5 V or 0-10 V output
ISOLATED TOTALIZING SOLID STATE CONTACT CLOSURE PULSE OUTPUTS	Contact ratings: 50mA, 30 VDC maximum Contact Pulse duration: 1000 ms

* SPECIFICATIONS subject to change without notice.

Meter Size	Process Connection Type	Typical Design Flow	1% of Rate Flow Range	2% of Rate Flow Range	Minimum Flow	C _v
(Nominal)	(Nominal)	(gpm)	(gpm)	(gpm)	(gpm)	(gpm)
½"	Male NPT	6.6	0.6 – 15	0.15 – 0.6	0.03	6.08
¾"	Male NPT	6.6	0.6 – 15	0.15 – 0.6	0.03	6.08
¾" (high flow)	Male NPT	11	1 – 25	0.25 – 1	0.05	8.81
1"	Male NPT	11	1 – 25	0.25 – 1	0.05	8.81
1" (high flow)	Male NPT	15.4	1.4 – 35	0.35 – 1.4	0.07	12.17
1¼"	Male NPT	26.4	3 – 60	0.6 – 3	0.12	36.95
1½"	Male NPT	44	5 – 100	1 – 5	0.2	51.20
2"	Male NPT	66	8 – 150	1.5 – 8	0.3	101.2
2½"	Class 150 Flange	110	12 - 225	2.5 - 12	0.5	156.2

1.4 WORKING ENVIRONMENT

The on-display version of the FT-4600 was designed for indoor or outdoor installation and use in residential, commercial and light industrial environments that are free of corrosive liquids and fumes, temperature extremes and excess vibration. Avoid installing the meter in direct sunlight.

The operating ambient air temperature range is -13°F to 131°F. Electrical power should be relatively clean, free of excess high frequency noise and large voltage transients.

1.5 SERIAL NUMBER

The serial number of your FT-4600 is located on the side of the enclosure. The serial number is a unique identifier for the product. Please have this number available when contacting ONICON for assistance.

SECTION 2.0 UNPACKING

The FT-4600 is generally shipped in one package unless optional hardware or equipment is ordered. Notify the freight carrier and ONICON if any items are damaged in transit.

2.1 CHECKING THAT YOU HAVE RECEIVED EVERYTHING

The following items have been provided with your FT-4600 Flow Meter:

- (2) Line size process connection meter couplings* with male NPT threads and sealing gaskets (shipped attached to meter)
- (1) FT-4600 Meter Certificate of Calibration
- (1) FT-4600 Meter Quick Start Guide

Please notify ONICON if any of these items are missing.

* NOTE: The 2½" version of the meter is provided with flanges.

SECTION 3.0 INSTALLATION

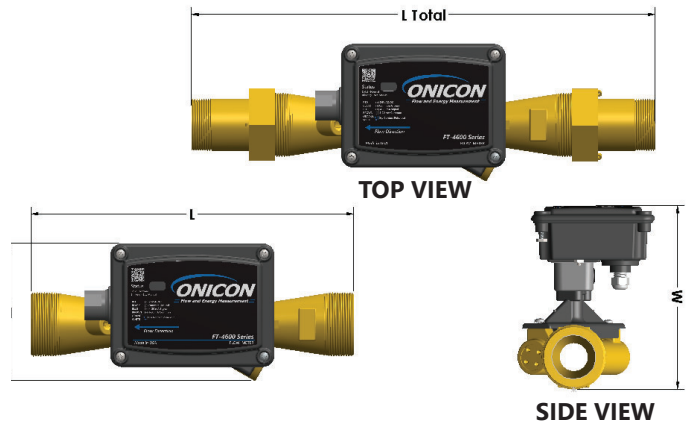
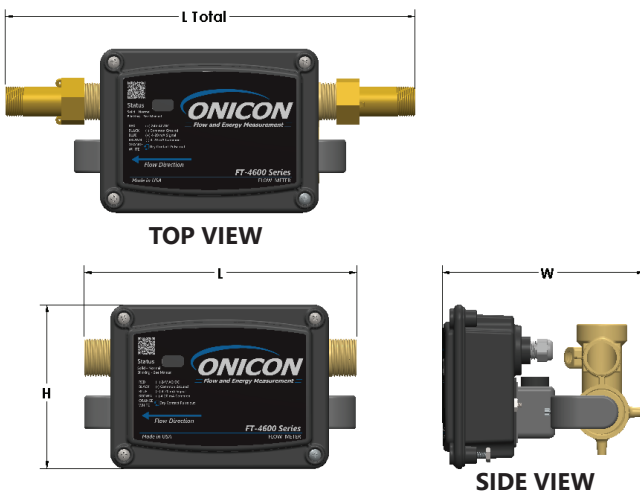
The FT-4600 Flow Meter should be installed by experienced plumbers, electricians, and others with related knowledge and experience in the heating, cooling, and fluid metering fields. ONICON technical support personnel are available via telephone or e-mail to provide technical assistance before, during and after installation. The installer should use good trade practices and must adhere to all applicable state and local building or other codes.

3.1 SITE SELECTION

Careful attention to the site selection for the meter will help the installers with the initial installation, reduce start-up problems, and make future maintenance easier. For example, do not install the meter where it will be difficult for personnel to perform periodic maintenance. When selecting a site, consider the criteria under Section 1.4: WORKING ENVIRONMENT, as well as the information below.

The following limitations apply to the installation of the meter:

- The flow meter must be correctly oriented with respect to the direction of flow in the pipe. Meters installed with reversed flow will not function.
- The maximum operating pressure for the flow meter is 400 psi.
- Do not install the meter in close proximity to strong sources of electromagnetic interference (e.g. electric motors, VFD's, fluorescent light fixtures, etc.)



Ubody Overall Dimensions				
Size	L Total	L	W	H
1/2"	11.2"	7.48"	5.55"	4.50"
3/4"	11.7"	7.48"	5.55"	4.50"
3/4" high flow	11.7"	7.48"	5.55"	4.50"
1"	12.3"	7.48"	5.55"	4.50"
1" high flow	15"	10.23"	5.55"	4.65"

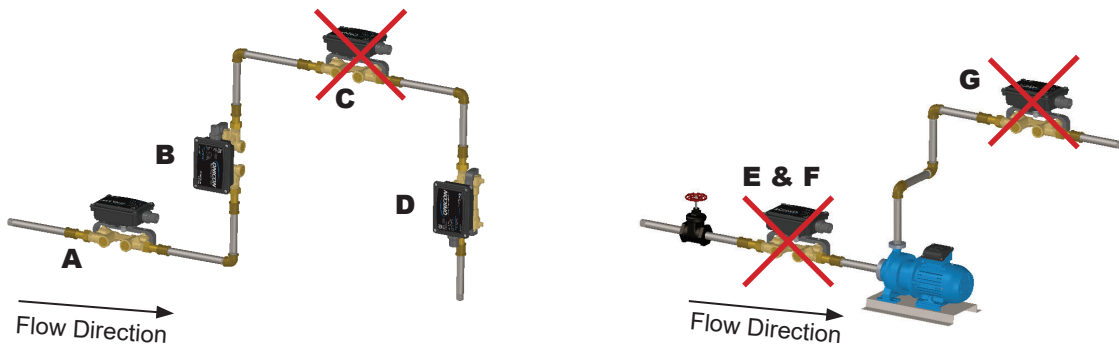
Crossfire Overall Dimensions				
Size	L Total	L	W	H
1 1/4"	15.25"	10.20"	6.42"	4.92"
1 1/2"	17.00"	11.80"	6.68"	5.00"
2"	17.60"	11.80"	7.09"	5.14"
2 1/2"	11.81"	10.23"	9.25"	7.00"

3.2 INSTALLING THE FLOW METER

Before you install the meter, the entire piping system should be flushed and free of debris. Please refer to the diagrams below when selecting the installation location. Upstream straight unobstructed pipe requirements vary considerably based on the nature of the upstream obstructions. As a general rule, ONICON recommends a minimum of 10 diameters of straight unobstructed pipe whenever possible; keeping in mind that it is always recommended that the meter be located with as much straight pipe upstream as possible.

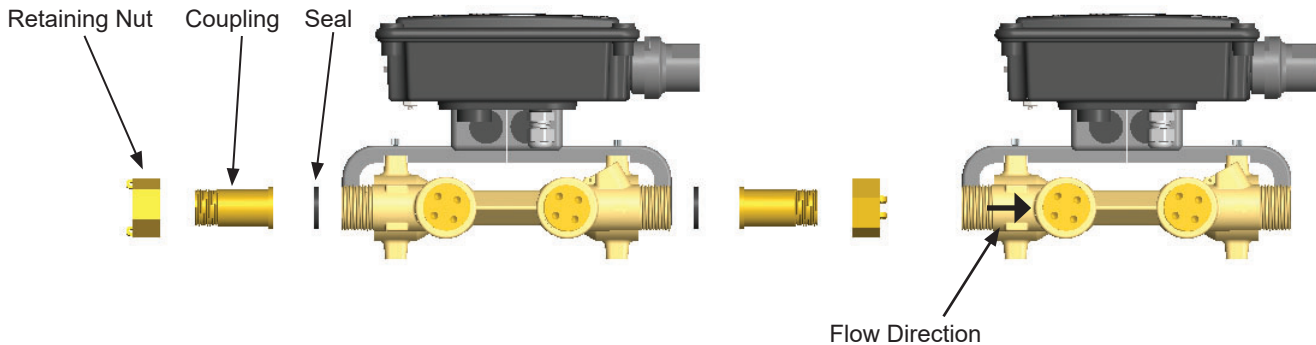
STRAIGHT RUN REQUIREMENTS

Upstream Obstruction	Minimum Upstream Straight Run Required (Pipe Diameters)	
	Meter Size	
	0.5 - 1.0"	1.25 - 2.5"
Single Elbow	0	0
Expander / Reducer	0	0
Coil, Upstream	3	3
Isolation Valve, 2 Position	3	5
Control Valve	10	15
Notes:		
1	Straight run is based on use of manufacturer provided couplings	
2	Avoid the following obstructions where possible: Modulating valves, pump discharge, multiple elbows out of plane.	



- A. This is a recommended position for the flow meter.
- B. This is a recommended position for the flow meter.
- C. Avoid installation locations where air can become trapped in the piping system, for example, meters installed between two vertical runs, at a high elevation.
- D. This is an acceptable installation location for closed loop pressurized systems.
- E. Do not install the meter downstream of modulating valves or partially open valves. Fully open isolation valves (e.g. ball valves) are OK.
- F. Do not install the flow sensor at the inlet of a pump. To prevent cavitation, the minimum operating pressure at the inlet of the meter must always exceed the pressure drop across the meter. Refer to Appendix A-1 for calculating pressure the drop at different flow rates.
- G. Avoid installing the meter downstream of multiple bends out of plane with each other where there are less than 10 diameters of straight unobstructed pipe between bends.

The flow meter is installed with threaded meter couplings and flat sealing gaskets as shown below. Orient the sensor body by aligning the flow direction arrow with the direction of flow in the pipe.



Model	Meter Size	Min. Compression	Min. Turn Past Initial Contact	Degrees of Rotation
FT-4600-050	1/2"	30%	1/2	180°
FT-4600-340	3/4"	30%	1/3	120°
FT-4600-341	3/4"	30%	1/3	120°
FT-4600-010	1"	30%	2/5	140°
FT-4600-011	1"	30%	2/5	140°
FT-4600-130	1 1/4"	30%	2/5	140°
FT-4600-150	1 1/2"	30%	4/9	160°
FT-4600-200	2"	30%	1/2	180°

INSTALLING METER COUPLINGS

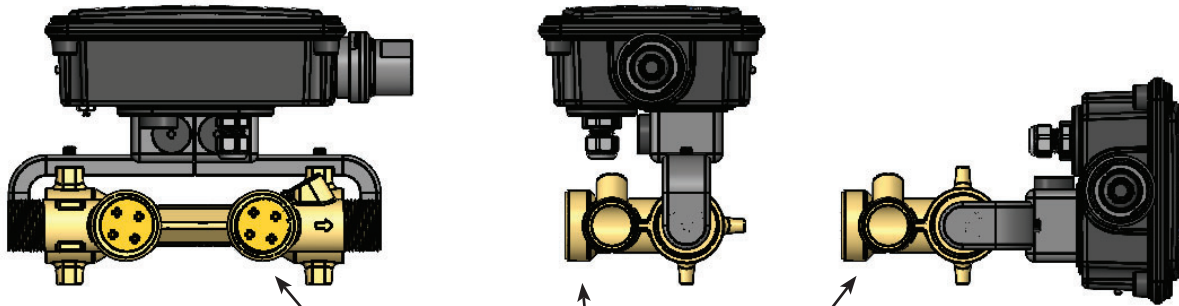
- Inspect seating surfaces on the meter’s body and tail piece prior to assembly. Surfaces should be clean and free of any burrs or markings.
- Install the gasket in tail piece. Thread union onto meter’s body, by hand, until gasket and mating surfaces make first contact. Mark coupling nut and tail piece.
- Place a corresponding mark on the coupling nut, # of degrees (based on table above) counter clockwise. Hold meter body while rotating coupling nut clockwise until marks line up. DO NOT over-tighten.
- Repeat process on opposite side of flow meter body.
NOTE: Torque setting is not an accurate means of gaging compression on gasket due to the lack of resilience in the gasket material.

Pressurize system and check for leaks. If any leak is present, DO NOT over-tighten. Relieve pressure and loosen coupling nuts. Remove and inspect the gasket for damage. Repeat installation process.

Orient the meter as shown below. The meter may be installed with upward or downward flow in vertical pipes in closed loop pressurized systems. Avoid any installation locations where the pipe may not be completely full.

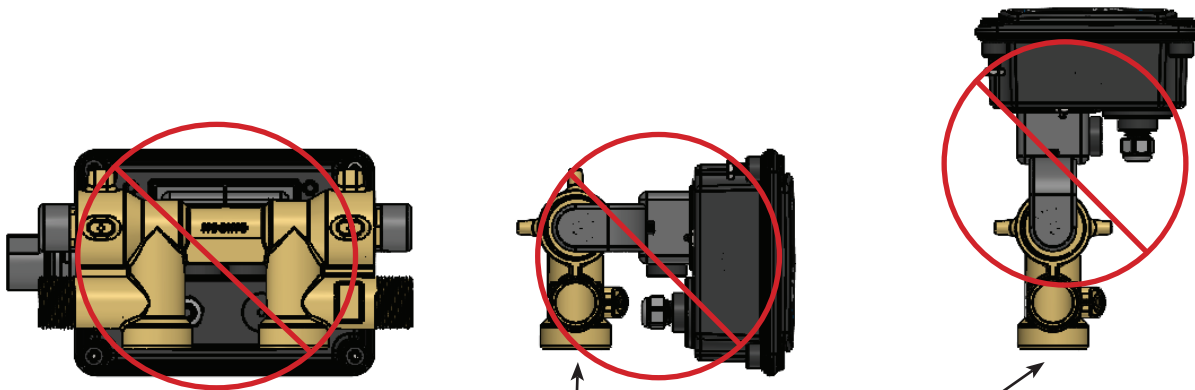
Meter Sizes 1/2 - 1"

Preferred Orientation for Horizontal Pipes



Caps should be horizontal to ensure that no air is trapped in the body.

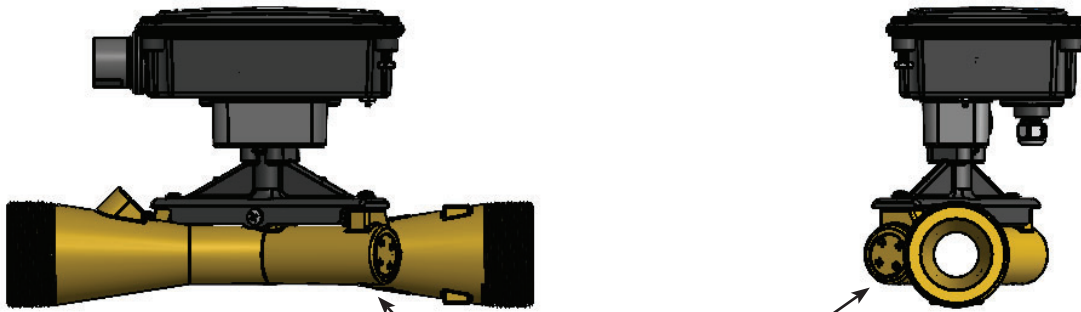
Do not orient meter as shown below



Caps that are pointed up or down can trap air in the body.

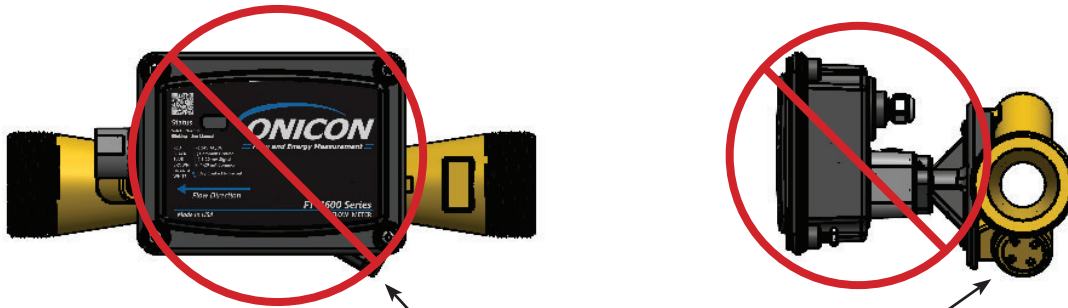
Meter Sizes 1¼ - 2.5”

Preferred Orientation for Horizontal Pipes



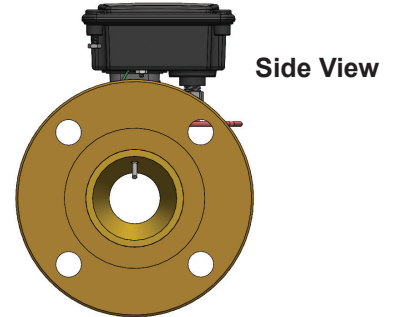
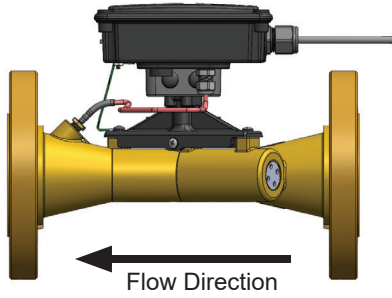
Caps should be horizontal to ensure that no air is trapped in the body.

Do not orient meter as shown below

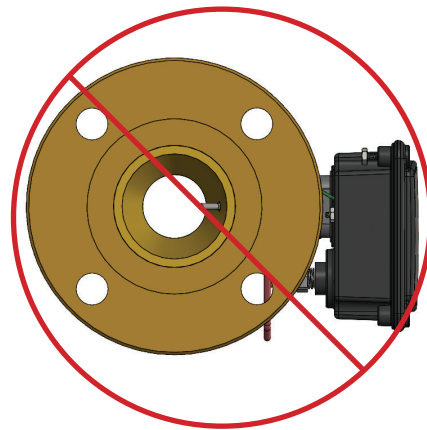
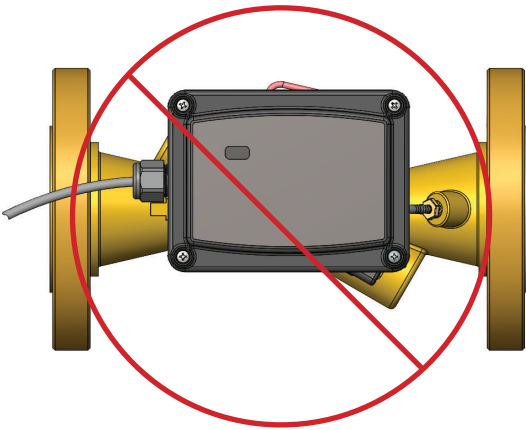


Caps should be horizontal to ensure that no air is trapped in the body.

Preferred Orientation for Horizontal Housing



Do not orient meter as shown below

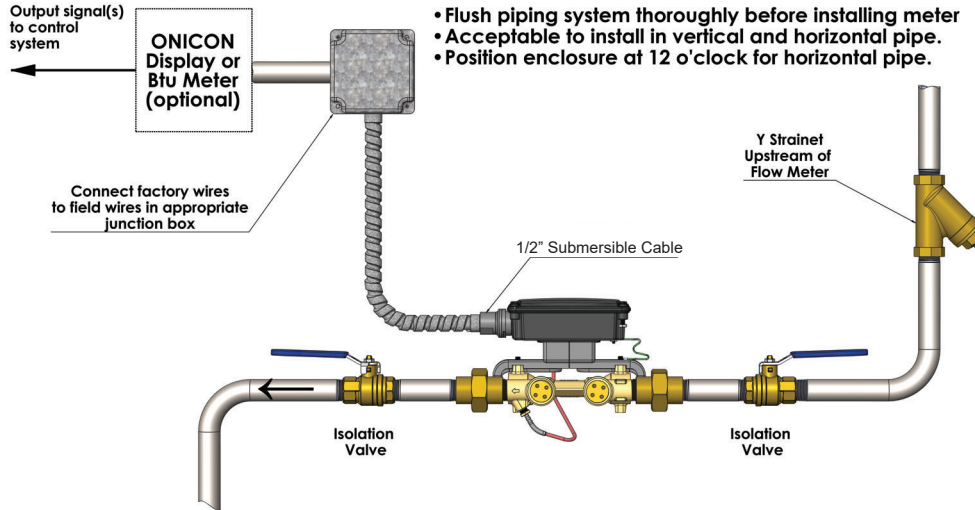


IMPORTANT NOTE

Open isolation valves, leak test and purge the piping system of air prior to wiring the meter.

3.3 POWER AND SIGNAL WIRING CONNECTIONS

The FT-4600 is provided with an unterminated 10 foot PVC jacketed cable for power and signal connections. Do not attempt to remove this cable. Doing so will damage the weather-tight seal and may void the product warranty. Use AWG 18 - 22 shielded cable for power and signal connections.

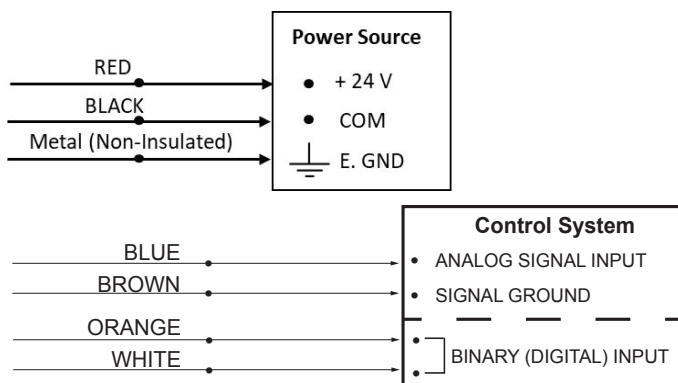


FT-4600 Wiring Information		
Wire Color	Description	Notes
Red	(+) 24V AC/DC	Positive (+) supply connection
Black	(-) Common ground	Negative (-) supply connection
Blue	(+) Analog 4-20 mA signal	Active 4-20 mA (non-isolated) output*
Brown	(-) Analog 4-20 mA signal	
Orange	Non polarized dry contact switch output	Scaled to provide one pulse per unit volume
White		
Metal	Shield/Earth Ground Connection	Cable Shield connection to Earth Ground

*4-20 mA signal is active. Do not connect external voltage to the blue & brown wires.

FT-4600 WIRING DIAGRAM

Flow meter into control system (no display or BTU meter)



SECTION 4.0 DIAGNOSTICS

4.1 FLOW SIMULATION

For flow simulation, press and hold the SW2 button. The flow meter will enter simulation mode. The meter will simulate 16mA and it will pulse accordingly. Press the RST button to exit simulation mode

4.2 LED STATUS

When active, a fast flash pattern gets your attention. Then each active code is counted out with a pause between codes. This pattern repeats while any alarms are active.

LED BEHAVIOR	STATUS	NEXT STEP
No LED	Meter off or dead	Check whether the meter is receiving 24VAC or DC. Check that the power supply can provide enough current to all connected devices. If the power is correct, the meter board needs to be replaced.
Solid LED	Good	No action is needed. Meter is reading flow properly.
1 blink	Blink Unused	Blink Unused
2 blinks	Signal Issue	Ensure meter is oriented properly. Check page 10-12.
3 blinks	Reverse Flow	Ensure the arrow on the meter body is pointed in the direction of the flow.
4 blinks	Temperature or Flow Limits	Ensure the meter does not exceed the limits indicated on page 5. The meter will send a 4mA signal when the flow or temperature is outside of its limits.
5 blinks	High Temp Exceeded	This alarm only shows if another alarm is active to indicate that the possible cause of the meter malfunction was the failure in the system caused by a high-temperature fluid passing through the meter. For example, steam trap failures can cause.
6 blinks	Hardware Fault	Board or sensors failure. Please contact ONICON to determine where the failure is.
7 blinks	Config Fault	Bad config or corrupt flash/EEPROM. Contact ONICON.

