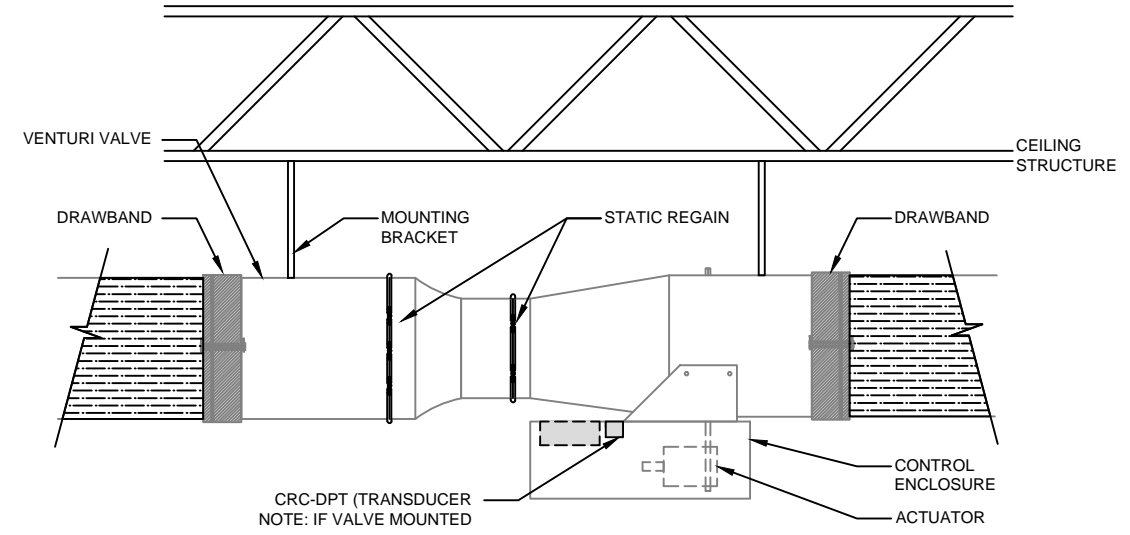
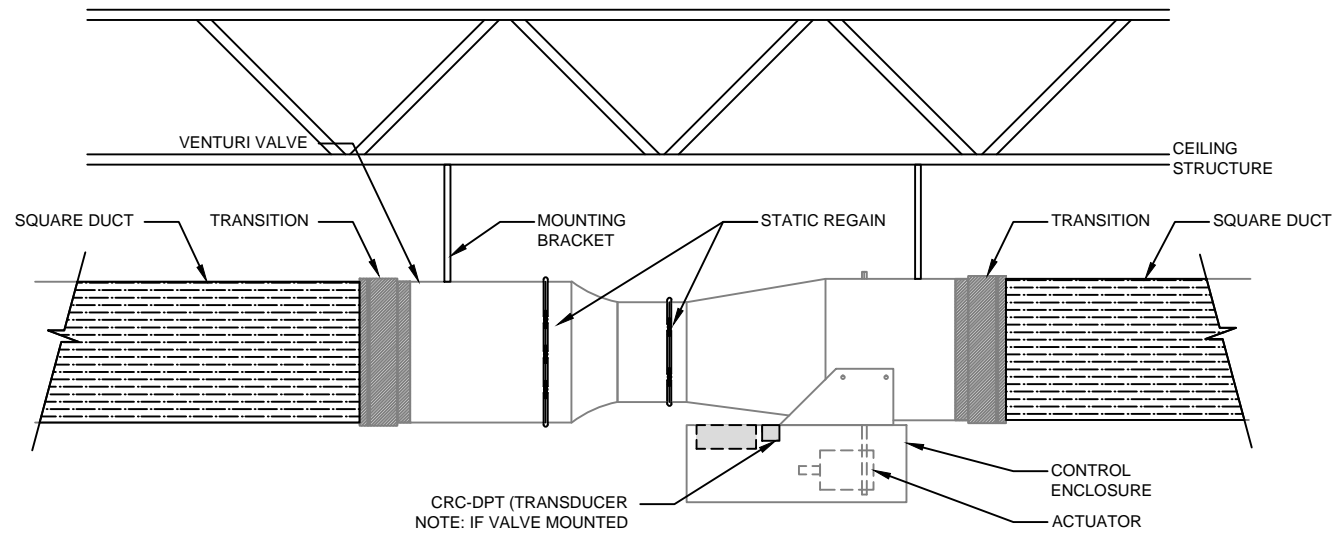


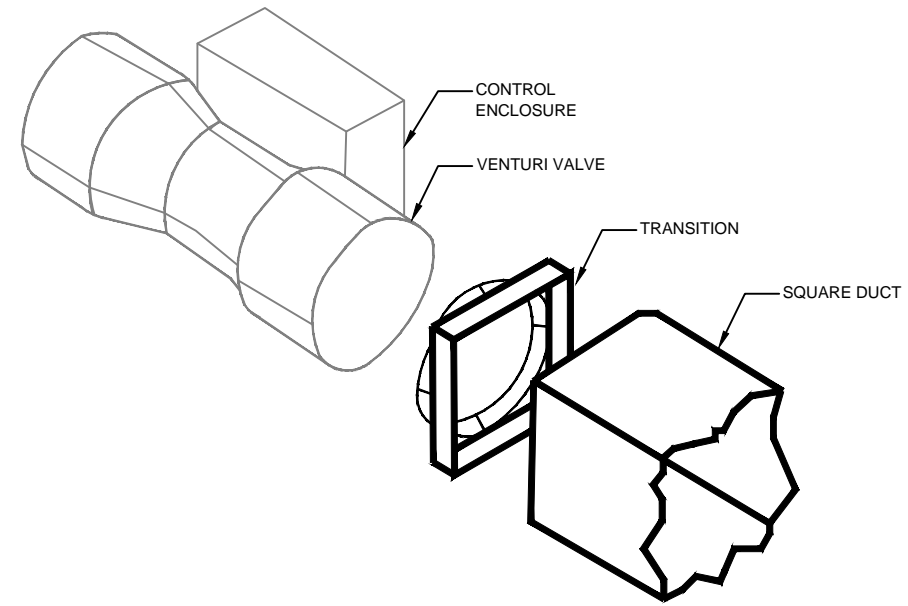
**SINGLE VALVE:**  
SHEETMETAL SCREWS  
(UNCOATED & STAINLESS STEEL VALVES ONLY) NTS



**SINGLE VALVE:**  
DRAWBAND NTS



**TRANSITION TO SQUARE DUCT: SIDE VIEW**  
NTS



**TRANSITION TO SQUARE DUCT: ISO VIEW**  
NTS

CRITICAL ROOM CONTROL

6643 W. MILL ROAD  
MILWAUKEE, WI 53218  
(414) 324-8978

Architect:  
Engineer:  
Contractor:  
Drawn by: JLS  
DATE: 2014.04.25  
CAD file: valveDetailMounting.rvt

**VALVE MOUNTING DETAIL**

NOT TO SCALE

JOB NUMBER  
—  
SHEET NO.  
1 OF 1