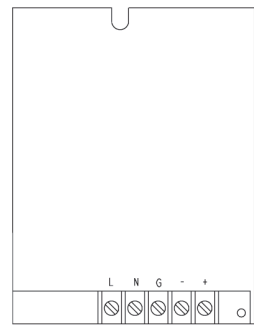
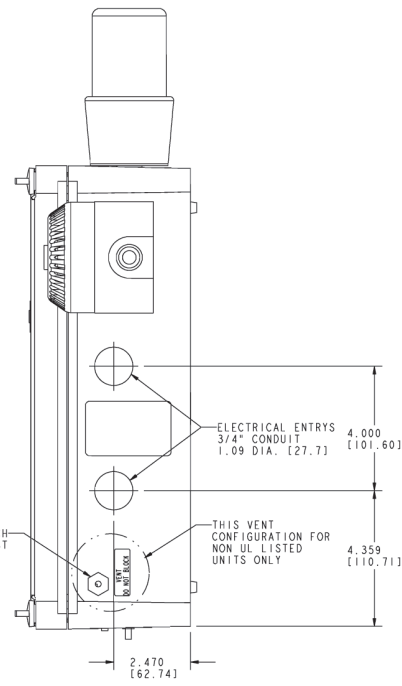
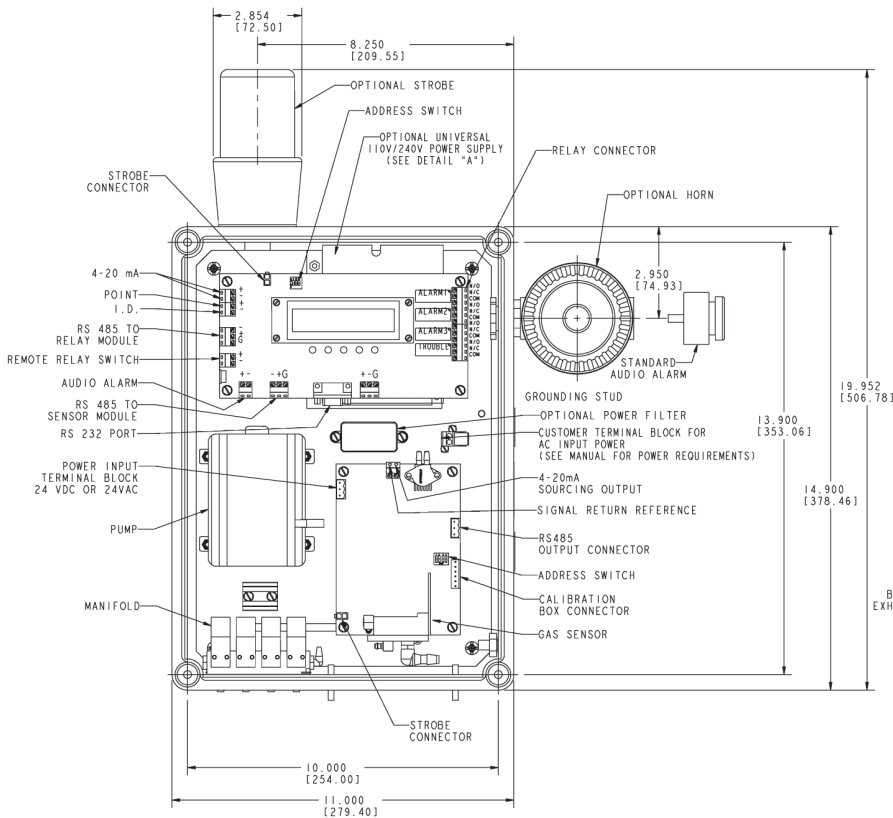


REVISIONS	
APR 19 2002	
①	6-3-02 REVISED NOTE 3 REMOVED *NEMA 4X (1P66) ECO-500000148806 WJE WLB
JUN 04 2002	
②	10-4-02 ADDED SHEET 2 ECO-500000150502 WJE WLB
OCT 08 2002	
③	11-19-02 REVISED LOCATION OF VENTS ECO-500000151194 WJE WLB
DEC 17 2002	



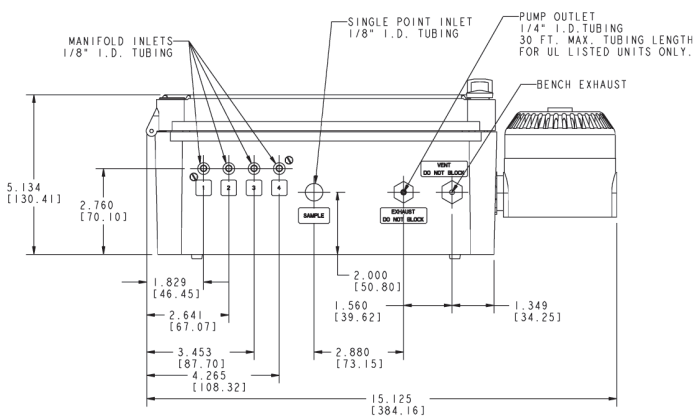
DETAIL "A"  
POWER SUPPLY TERMINAL LOCATION

SAMPLE TUBING:  
MSA PART NO. : 600771, 1/8" I.D. X 300 FT LONG MAX.  
END OF LINE FILTER:  
MSA PART NO. : 111561  
MSA PART NO. : 111562 (AMMONIA)

4-20 mA SIGNAL OUPUT WIRING:  
-- UNDER LINE POWER --  
22 AWG 9000 FEET 250 OHM MAX LOAD.  
22 AWG 2500 FEET 500 OHM MAX LOAD.

- NOTES:
1. AC POWER SUPPLY ACCEPTS 110 VAC MINIMUM TO 240 VAC MAXIMUM. DC SUPPLY 24V +/- 20%.
  2. SEPARATE AC AND DC WIRING DURING INSTALLATION.
  - ① 3. ENCLOSURE MATERIAL ABS WITH EPDM GASKET.
  4. ALL DIMENSIONS IN INCHES AND [MILLIMETERS].
  5. DO NOT DRILL ANY HOLES INTO THE REAR OF THE ENCLOSURE.
  6. WEIGHT 9.5 LBS (4.27 Kg)
  7. FOR MORE INFORMATION REFER TO MANUAL.

PUMPED VERSION



CUSTOMER \_\_\_\_\_  
P.O. # \_\_\_\_\_  
LOCATION \_\_\_\_\_  
TAG # \_\_\_\_\_

AUTHORIZED COUNTRY	<b>MSA</b> MINE SAFETY APPLIANCES CO. PITTSBURGH, PA 15229, USA	THIS DRAWING IS THE PROPERTY OF MSA AND IS MADE AVAILABLE TO YOU IN CONFIDENCE AND SUBJECT TO THE FOLLOWING: NO PERMISSION IS GRANTED TO PUBLISH, USE, REPRODUCE, TRANSMIT OR DISCLOSE THIS DRAWING, OR ANY INFORMATION CONTAINED THEREIN TO OTHERS WITHOUT THE PRIOR WRITTEN CONSENT OF MSA EXCEPT FOR THE MANUFACTURE OF ARTICLES FOR MSA. SCHUTZRECHTEN NACH DIN 34 BEZÄHLT. MSA GIER OHG.	DO NOT SCALE DWG.
MSA STANDARD SHOP PRACTICES APPLY	JOB NO. 30003220 PHOTO5	APPROVAL AGENCY CODE: NO I/105H ATTR. DOC.:	
CRITICAL Δ	DRAWN BY WJE DATE 3-12-02		
MAJOR A	CHECKED BY W BARBISH 4-11-02		
MAJOR B Δ	PROJ. ENG W BARBISH 4-11-02		
100% INSPECTION Δ	QUALITY ASSURANCE J DANNHARDT 4-15-02		
TOLERANCES UNLESS OTHERWISE SPECIFIED	MANUFACTURING R.SMIDL 4-11-02	CADD REF: 10000013436	SCALE: 0.500
FRACTIONAL ± 1/64 in.			
2 PL DEC. ± 0.01 in.			
3 PL DEC. ± 0.005 in.			
ANGULAR ± 1 deg			
SEE MSA STANDARD SHOP PRACTICES FOR DRILLED HOLE TOLERANCES	DOCUMENT NO. <b>D SK 10000013436</b>		SHEET 1 OF 2

**INSTALLATION OUTLINE,  
CHILLGARD LE**