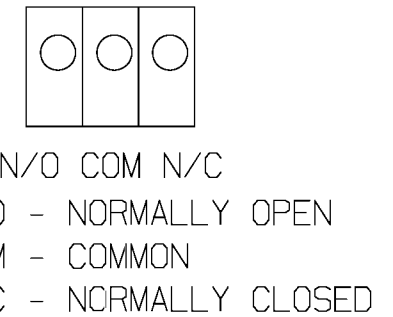


INSIDE OF TOXGARD II
(SHOWN WITH DOOR AND MOUNTING LUGS REMOVED)

RELAY SPECIFICATIONS

ALL DRY CONTACT RELAYS RATED AT 5 AMPS(RESISTIVE) AT 250 VAC OR 30 VDC
 FAULT, CAUTION, WARNING, AND ALARM RELAYS HAVE FORM 'C' CONTACTS .
 CAUTION, WARNING, ALARM RELAYS ARE ENERGIZED UPON AN ALARM CONDITION.
 N/O, N/C REFER TO NON-ALARM(DE-ENERGIZED) STATE OF CONTACT.
 FAULT RELAY IS ENERGIZED UNDER NORMAL OPERATING CONDITIONS.
 N/O, N/C REFER TO DE-ENERGIZED, POWER-OFF, OR FAULT CONDITION.
 HORN RELAY HAS FORM 'A' CONTACTS (NORMALLY OPEN AND COMMON).

TYPICAL WIRING CONNECTION FOR
 FAULT, CAUTION, WARNING, ALARM.



POWER CONNECTIONS

AC-L = AC POWER LINE CONNECTION. DC+ = POSITIVE DC VOLTAGE TO MAIN PCB
 AC-N = AC POWER NEUTRAL CONNECTION. DC- = NEGATIVE DC VOLTAGE TO MAIN PCB
 AC-GND = AC POWER EARTH GROUND CONNECTION. BAT+, DC- = LEAD ACID BATTERY CONNECTIONS
 AC INPUT VOLTAGE CAN BE 110 -240VAC, 50/60HZ. NO SWITCH SELECTION IS NECESSARY.
 AC POWER FEEDS A 40WATT POWER SUPPLY THAT PRODUCES DC POWER FOR DEVICE OPERATION.
 A POWER CORD OF AT LEAST 16AWG IS RECOMMENDED.

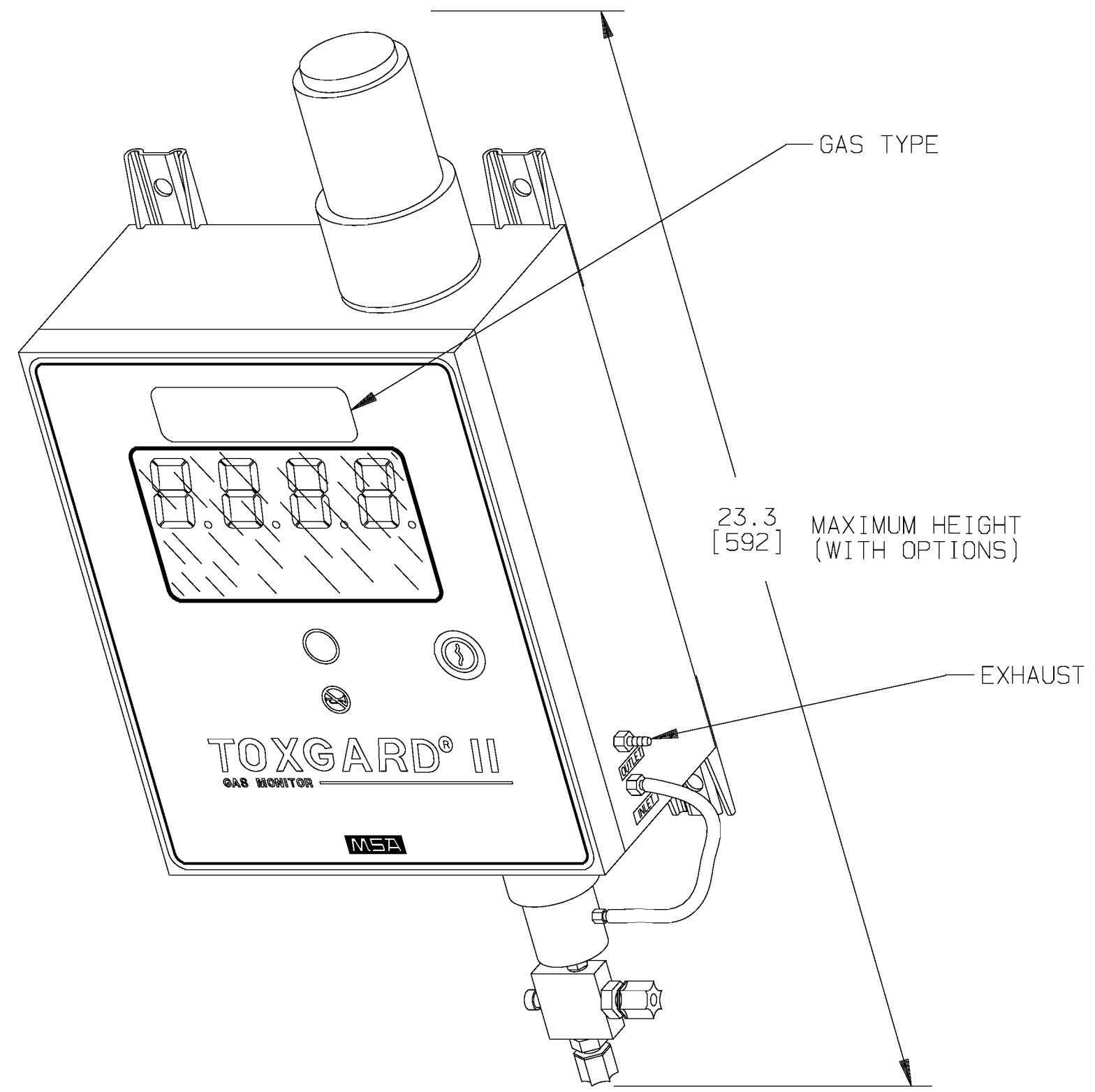
SIGNAL OUTPUT WIRING

-----UNDER LINE POWER-----			○ 4-20mA SOURCING OUTPUT ○ SIGNAL RETURN(REFERENCE)
22AWG	9000 FEET	250 OHM MAX. LOAD	
22AWG	2500 FEET	500 OHM MAX. LOAD	
-----UNDER BATTERY POWER-----			
22AWG	2750 FEET	250 OHM MAX. LOAD	
18AWG	7250 FEET	250 OHM MAX. LOAD	

SEE MANUAL FOR ISOLATED OUTPUT DETAILS

GENERAL WIRING

ALL AC WIRING SHOULD BE LOCATED TO THE LEFT SIDE OF THE ENCLOSURE TO MINIMIZE THE INTRODUCTION OF NOISE TO THE INSTRUMENT. THIS INCLUDES INPUT POWER, RELAY CONNECTIONS.
 ALL DC AND LOW POWER WIRING SHOULD BE KEPT AWAY FROM THE AC WIRING. THIS INCLUDES THE CURRENT OUTPUT SIGNAL WHICH SHOULD BE ROUTED OUT THE OPENING OF THE UNUSED SENSOR MOUNTING LOCATION ON EITHER THE RIGHT SIDE OR THE BOTTOM OF THE ENCLOSURE.



- NOTE:
1. DIMENSIONS IN INCHES(MILLIMETERS).
 2. FOR MORE INFORMATION REFER TO MANUAL #711266 AND ADDENDUM #10085211
 3. ENCLOSURE 14 GAUGE STEEL, PAINTED STEEL DESIGNED FOR NEMA 4X.
 4. WEIGHT (NO OPTIONS) 13 LBS. (5.9KG).
 5. TOXGARD II MRI PART NUMBER IS 10076408.

CUSTOMER _____
 P.O. # _____
 MSA # _____
 LOCATION _____
 TAG # _____
 TOTAL NO. OF UNITS _____

COLOR	CODE
BLACK	= K
BROWN	= N
RED	= R
ORANGE	= O
YELLOW	= Y
PINK	= P
GREEN	= G
BLUE	= B
VIOLET	= V
GRAY	= A
WHITE	= W
TAN	= T

DOCUMENT CONTROLLED BY	FILE REF. NO. J001-007	*THIS DRAWING IS THE PROPERTY OF MINE SAFETY APPLIANCES COMPANY, PITTSBURGH, PENNSYLVANIA, AND IS MADE AVAILABLE TO YOU IN CONFIDENCE AND SUBJECT TO THE FOLLOWING: NO PERMISSION IS GRANTED TO PUBLISH, USE, REPRODUCE, TRANSMIT OR DISCLOSE THIS DRAWING, OR ANY INFORMATION OR IDEA CONTAINED THEREIN TO OTHERS WITHOUT THE PRIOR WRITTEN CONSENT OF MINE SAFETY APPLIANCES COMPANY EXCEPT FOR THE MANUFACTURE OF ARTICLES FOR MINE SAFETY APPLIANCES COMPANY.*		DO NOT SCALE DWG.
INTERCHANGEABLE-PART	MINE SAFETY APPLIANCES COMPANY PITTSBURGH, PA.	MAJOR A	DATE 10-19-2007	JOB NO. 30000016 PH0723
AUTHORIZED COUNTRY	MSA STANDARD SHOP PRACTICES APPLY	MINORING MARK	CHECKED BY J. FRUHWALD 10-24-2007	SCALE NTS
AUER	M. EAST	MAJOR B	PROJECT ENGINEER J. FRUHWALD 10-24-2007	AGENCY CONTROLLED YES NO
AUSTRALIA	MSA EUROPE		QUALITY ASSURANCE J. DANNHARDT 10-24-2007	INSTALLATION OUTLINE, TOXGARD II, MRI
BRAZIL	NETHERLANDS		MANUFACTURING H. TRACHSEL 10-24-2007	
CANADA	PERU			D SK3015-1022
CHILE	S.E. ASIA			
CHINA	SPAIN			
FRANCE	SWEDEN			
INDIA	MSA BRITAIN			
ITALY				
JAPAN				
MEXICO				