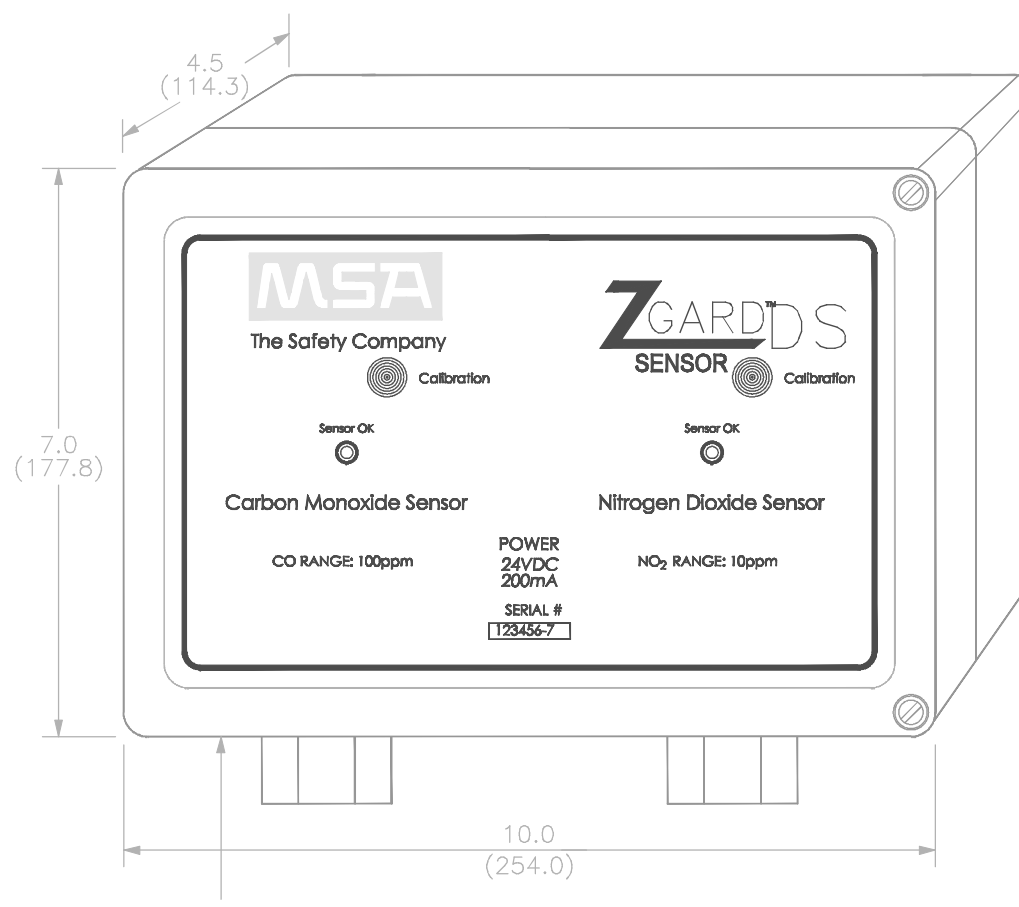
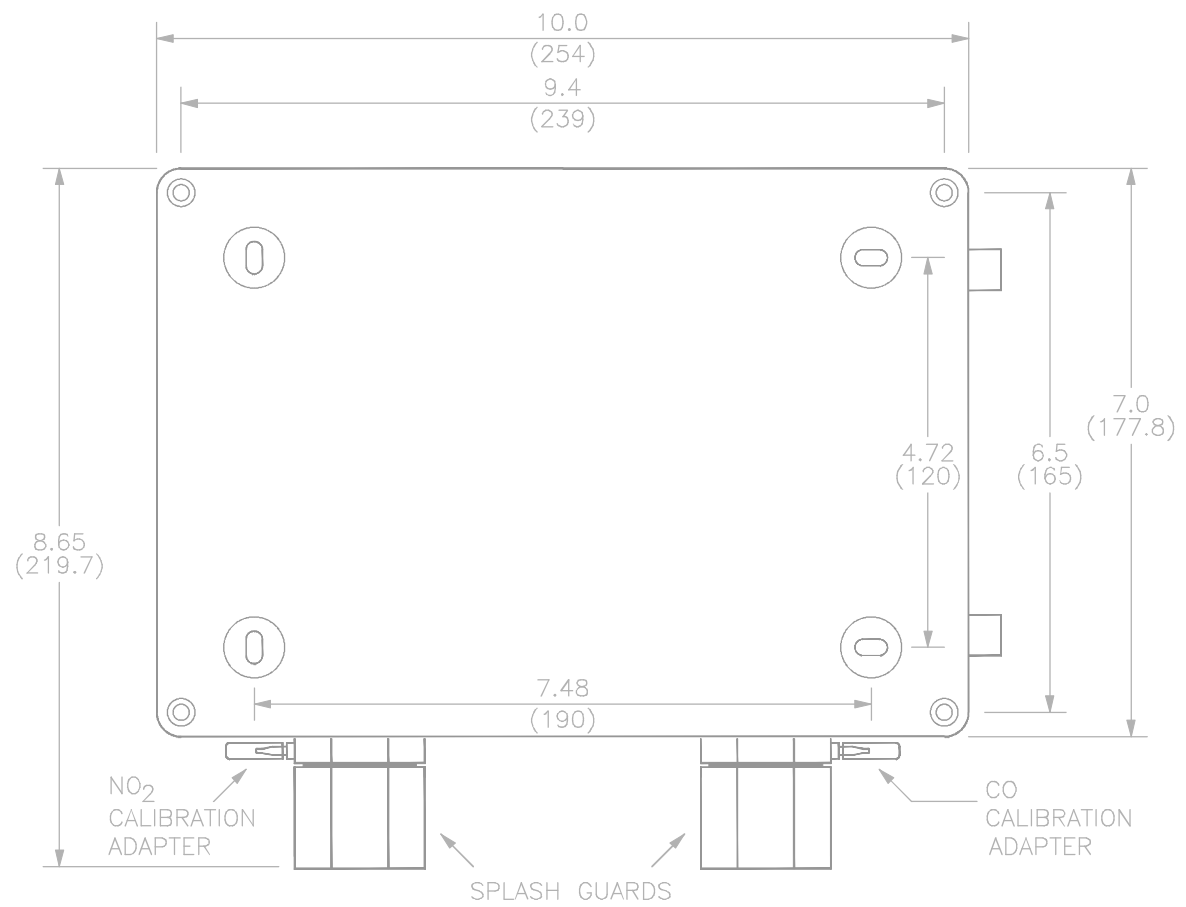


FOR DAISY-CHAIN (SERIES) WIRING OF ZGARD DS SENSORS TO AN MSA ZGARD C SERIES CONTROLLER AS SHOWN HERE, EACH SENSOR MUST BE UNIQUELY ADDRESSED VIA JUMPERS ON SENSOR CIRCUIT BOARD.

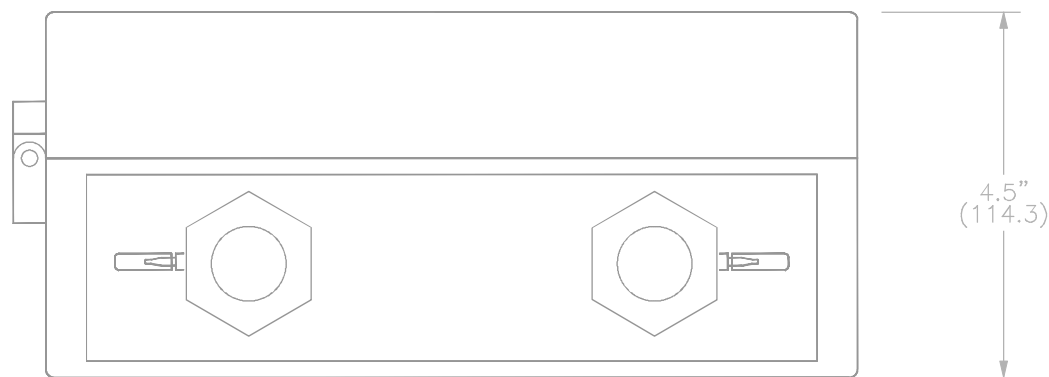
CABLE LENGTH VS. SIZE (AWG#)								
CABLE LENGTH FEET	No. OF SENSORS	4	6	8	10	12	14	16
1 TO 500	AWG #	22	22	22	22	22	20	20
501 TO 1,000	AWG #	22	20	20	20	18	18	18
1,001 TO 1,500	AWG #	20	18	18	16	16	16	16
1,501 TO 2000	AWG #	18	16	16	14	14	14	14



SUGGESTED CABLE	
GAUGE (AWG#)	4-WIRE SHIELDED CABLE
22	ALPHA WIRE 5504
20	ALPHA WIRE 5514
18	ALPHA WIRE 5524
16	ALPHA WIRE 5534
14	ALPHA WIRE 5544

NEMA4X FIBERGLASS ENCLOSURE WITH HINGED SCREW COVER

NOTES:  
1. DIMENSIONS SHOWN IN INCHES (MILLIMETERS).



Rev. C ZGARD MAG CAL VERSION



CHKD: DATE: Jan. 18/05 DRN: KS

Installation Outline,  
ZGARD DS,  
RS485 Digital Output Sensors

DWG. NO.: 106954 REV. B