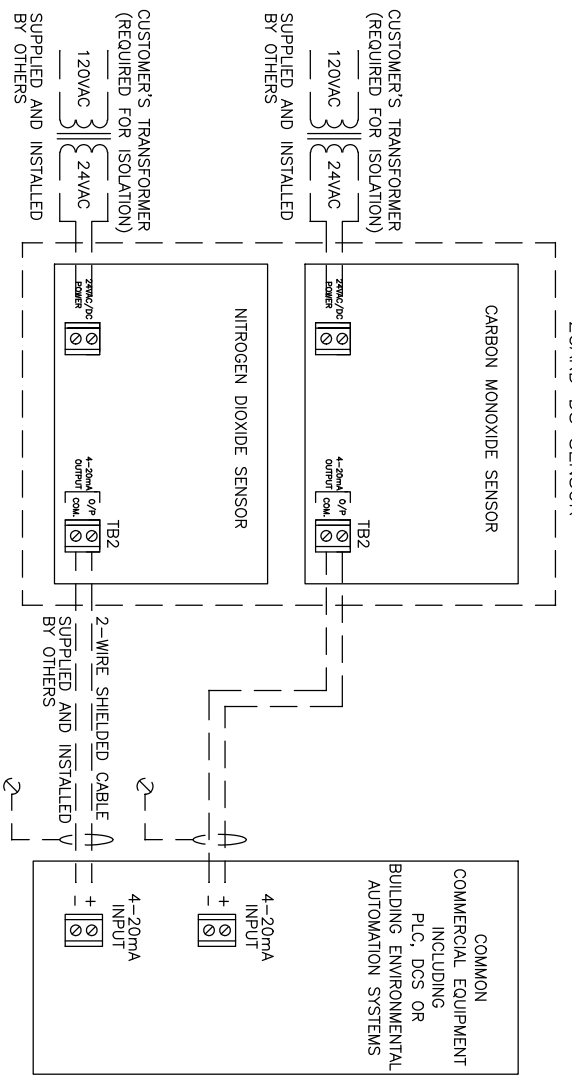
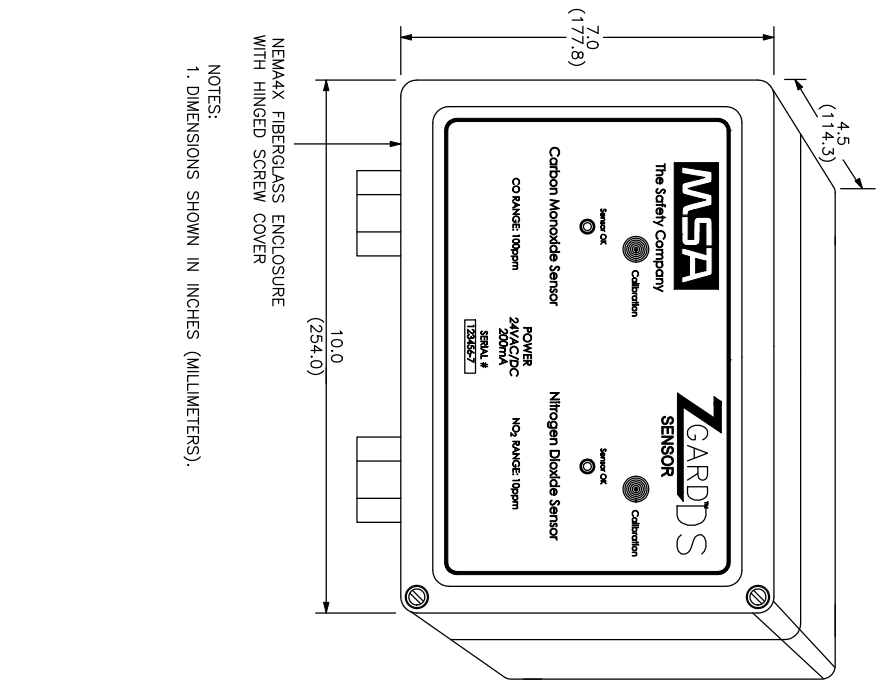
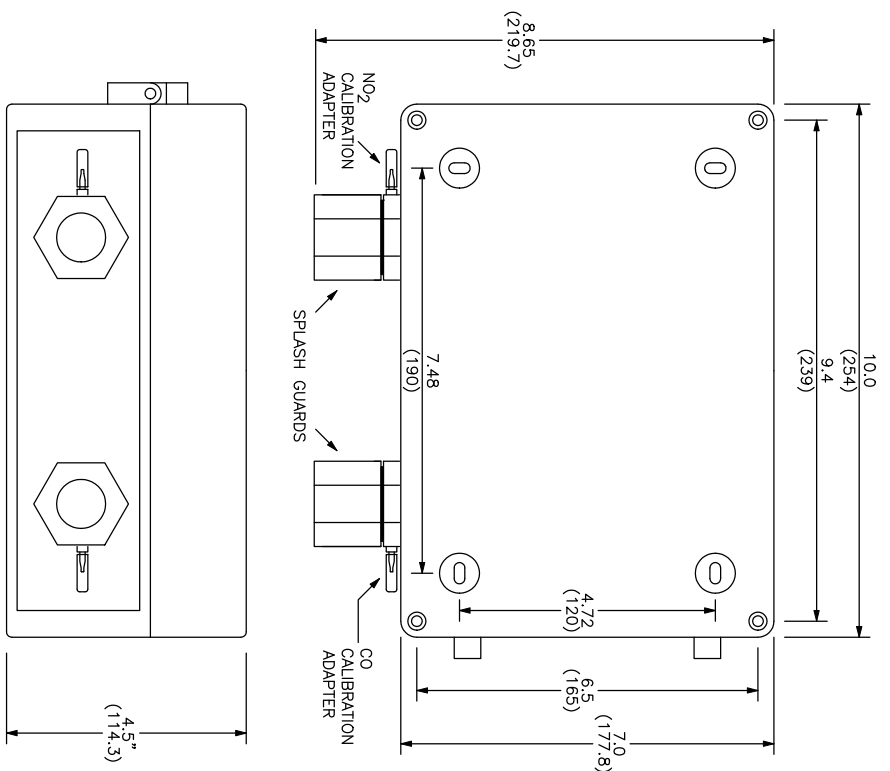
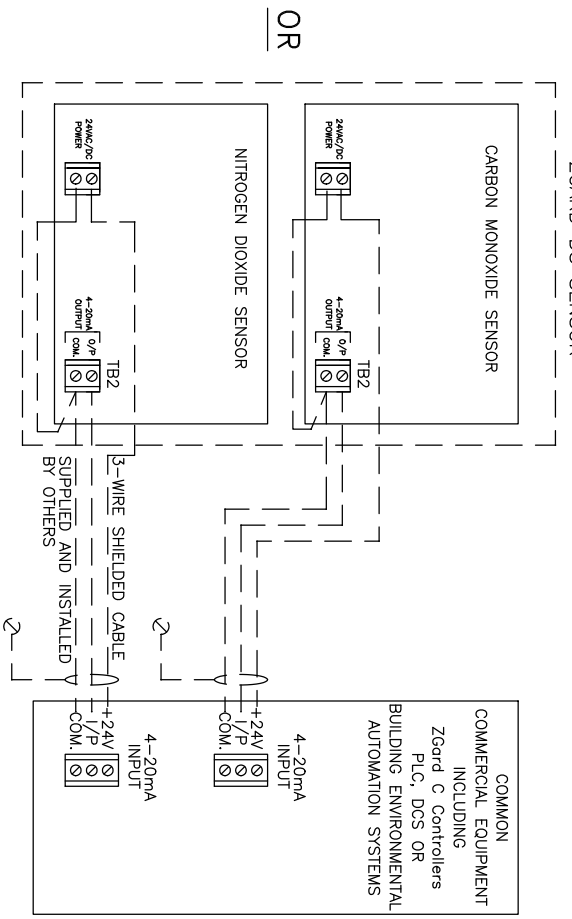


24V A.C. POWER CONNECTION  
ZGARD DS SENSOR



24V D.C. POWER CONNECTION  
ZGARD DS SENSOR



NOTES:  
1. DIMENSIONS SHOWN IN INCHES (MILLIMETERS).

CABLE LENGTH VS. SIZE (AWG#)	GAUGE
CABLE LENGTH FEET	GAUGE (AWG#)
1 TO 5,000	18

SUGGESTED CABLE		
GAUGE (AWG#)	3-WIRE SHIELDED CABLE	2-WIRE SHIELDED CABLE
18	ALPHA WIRE 5523	ALPHA WIRE 5522

Rev. C ZGARD MAG CAL VERSION

**MSA**

CHKD: V.E DATE: Jan. 18/05 DRN: KS

Installation Outline,  
ZGARD DS,  
4-20mA Output Stand-Alone Sensors

DWG. NO.: 106955 REV. D